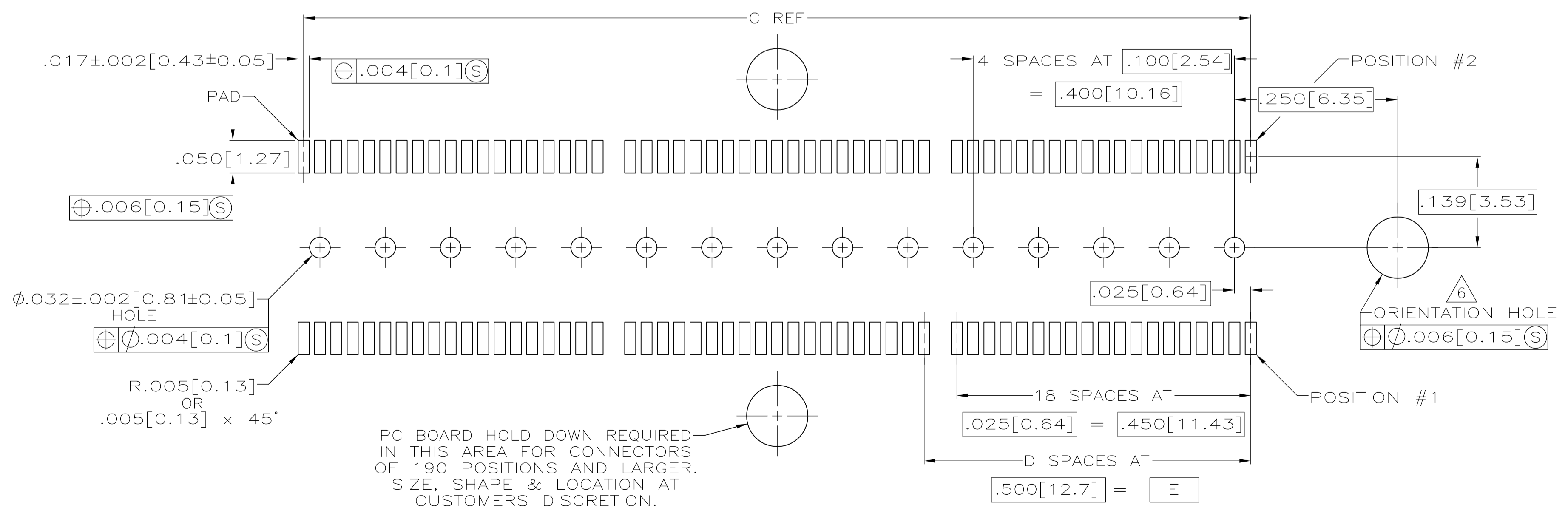
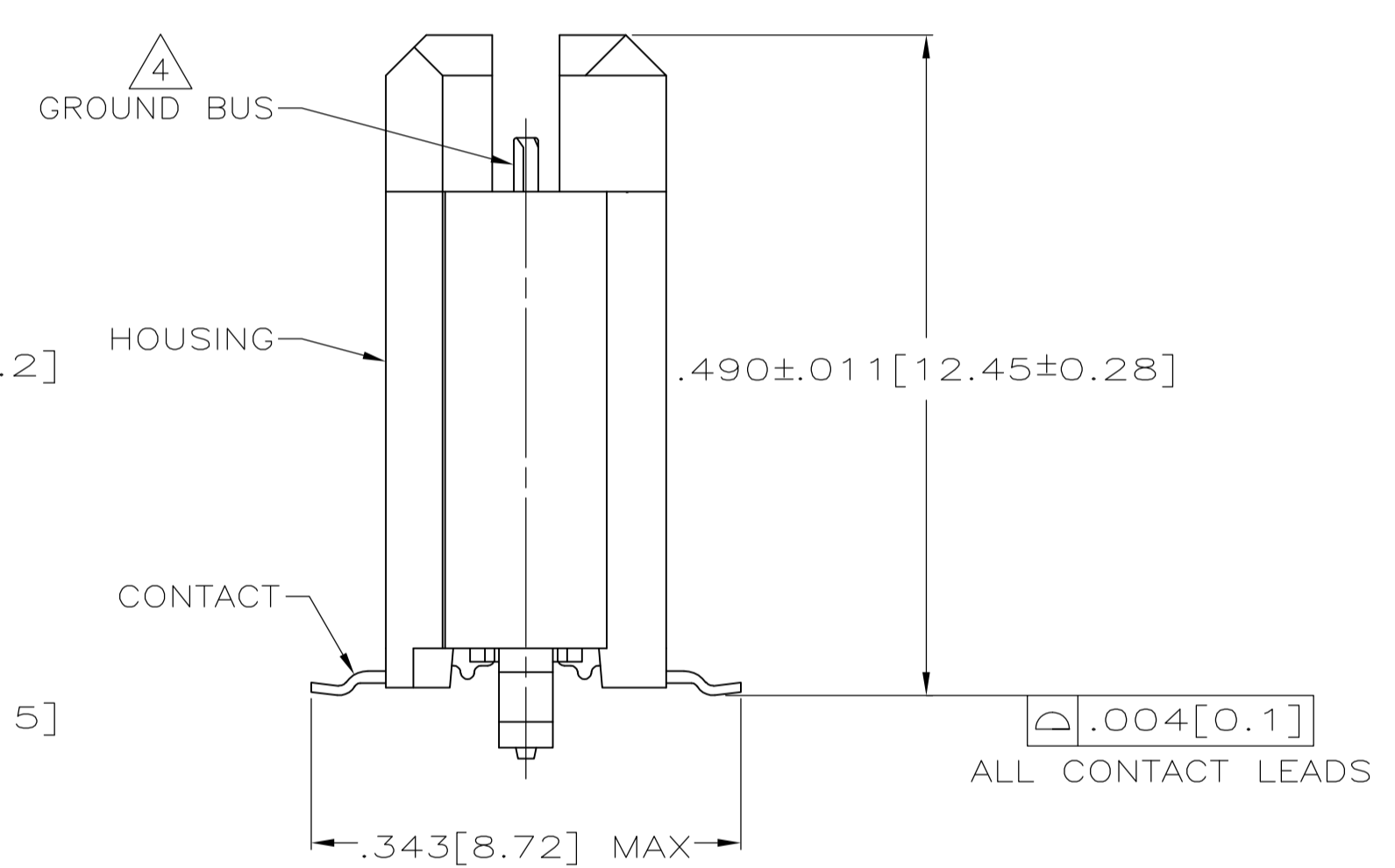
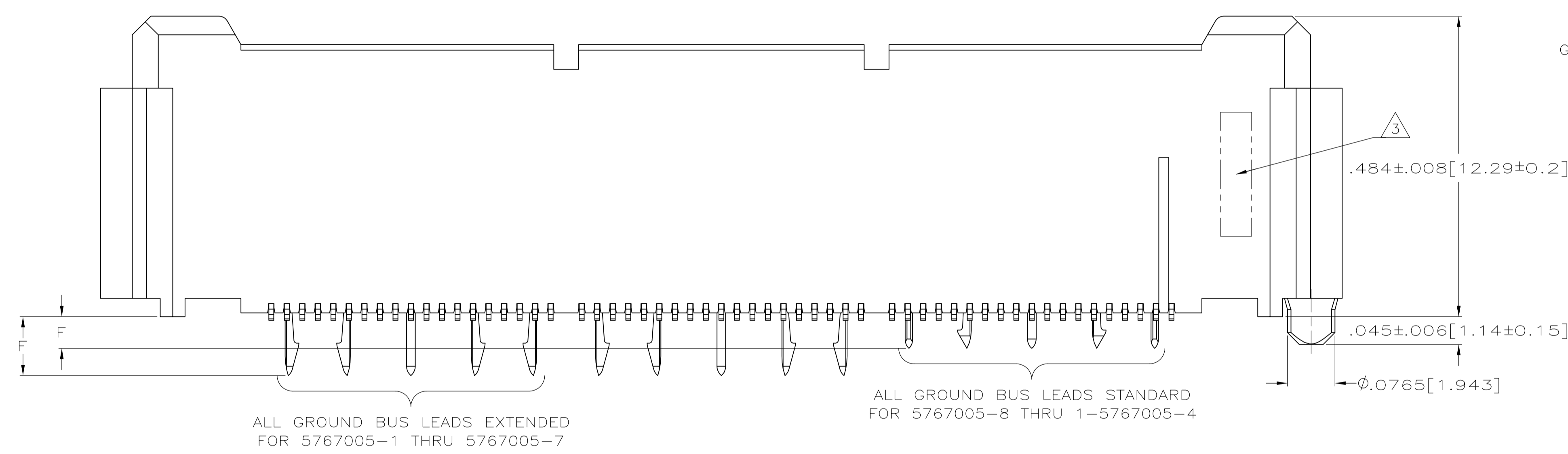


- 1 HOUSING: LIQUID CRYSTAL POLYMER, COLOR BLACK.
CONTACTS: HIGH RELIABILITY COPPER ALLOY.
GROUND BUSES: BRASS, UNS C26000
- 2 CONTACTS & GROUND BUSES: NICKEL UNDERPLATE ALL OVER, MATING SURFACE PLATED TO MEET LEVEL 1 PERFORMANCE REQUIREMENTS OF TE CONNECTIVITY PRODUCT SPECIFICATION 108-1422, SOLDER TAILS PLATED MATTE TIN.
- 3 DATE CODE MARKED IN AREA INDICATED ON OPPOSITE SIDE OF POSITION #1.
- 4 ONE GROUND BUS WITH 5 TAILS PER EACH MODULE.
- 5 TOLERANCE NON-ACCUMULATIVE.
- 6 FOR STANDARD APPLICATIONS, ORIENTATION HOLE TO BE $\phi .094 \pm .002 [2.39 \pm 0.05]$.
FOR SLIP-FIT APPLICATIONS, ORIENTATION HOLE TO BE $\phi .079 \pm .001 [2.00 \pm 0.03]$.



STANDARD	.060 [1.52]	3.000 [76.2]	6	3.450 [87.63]	3.898 [99]	4.000 [101.6]	266	1-5767005-4	
STANDARD	.060 [1.52]	2.500 [63.5]	5	2.950 [74.93]	3.398 [86.31]	3.500 [88.9]	228	1-5767005-3	
STANDARD	.060 [1.52]	2.000 [50.8]	4	2.450 [62.23]	2.898 [73.61]	3.000 [76.2]	190	1-5767005-2	
STANDARD	.060 [1.52]	1.500 [38.1]	3	1.950 [49.53]	2.398 [60.91]	2.500 [63.5]	152	1-5767005-1	
STANDARD	.060 [1.52]	1.000 [25.4]	2	1.450 [36.83]	1.898 [48.21]	2.000 [50.8]	114	1-5767005-0	
STANDARD	.060 [1.52]	.500 [12.7]	1	.950 [24.13]	1.398 [35.51]	1.500 [38.1]	76	5767005-9	
STANDARD	.060 [1.52]	.000 [0]	0	.450 [11.43]	.898 [22.81]	1.000 [25.4]	38	5767005-8	
OBSOLETE	EXTENDED	.104 [2.64]	3,000 [76.2]	6	3.450 [87.63]	3.898 [99]	4,000 [101.6]	266	5767005-7
OBSOLETE	EXTENDED	.104 [2.64]	2,500 [63.5]	5	2.950 [74.93]	3.398 [86.31]	3,500 [88.9]	228	5767005-6
OBSOLETE	EXTENDED	.104 [2.64]	2,000 [50.8]	4	2.450 [62.23]	2.898 [73.61]	3,000 [76.2]	190	5767005-5
OBSOLETE	EXTENDED	.104 [2.64]	1,500 [38.1]	3	1.950 [49.53]	2.398 [60.91]	2,500 [63.5]	152	5767005-4
OBSOLETE	EXTENDED	.104 [2.64]	1,000 [25.4]	2	1.450 [36.83]	1.898 [48.21]	2,000 [50.8]	114	5767005-3
OBSOLETE	EXTENDED	.104 [2.64]	.500 [12.7]	1	.950 [24.13]	1.398 [35.51]	1,500 [38.1]	76	5767005-2
OBSOLETE	EXTENDED	.104 [2.64]	.000 [0]	0	.450 [11.43]	.898 [22.81]	1,000 [25.4]	38	5767005-1

RECOMMENDED PC BOARD LAYOUT (VIEWED FROM CONNECTOR SIDE)

THIS DRAWING IS A CONTROLLED DOCUMENT.

DIMENSIONS: INCHES
 TOLERANCES UNLESS OTHERWISE SPECIFIED:
 0 PLC ± -
 1 PLC ± -
 2 PLC ± -
 3 PLC ± .005(0.13)
 4 PLC ± -
 ANGLES ± -

MATERIAL: 1
 FINISH: 2

THIS DRAWING IS A CONTROLLED DOCUMENT.
 BIN: G. ATTADIA 25 OCT 04
 CHK: D. DIXON 25 OCT 04
 APVD: D. DIXON 25 OCT 04
 NAME: PLUG ASSEMBLY, .495[12.57] VERTICAL, .025[0.64]CL, GULL WING LEADS, MICTOR 108-1422
 APPLICATION SPEC: 114-11004
 WEIGHT: -
 CUSTOMER DRAWING

DIN: G. ATTADIA 25 OCT 04
 CHK: D. DIXON 25 OCT 04
 APVD: D. DIXON 25 OCT 04
 NAME: PLUG ASSEMBLY, .495[12.57] VERTICAL, .025[0.64]CL, GULL WING LEADS, MICTOR 108-1422
 APPLICATION SPEC: 114-11004
 WEIGHT: -
 CUSTOMER DRAWING

SIZE: A1
 CAGE CODE: 00779
 DRAWING NO: 5767005
 RESTRICTED TO: -
 SCALE: 8:1
 SHEET: 1 OF 1
 REV: A2